



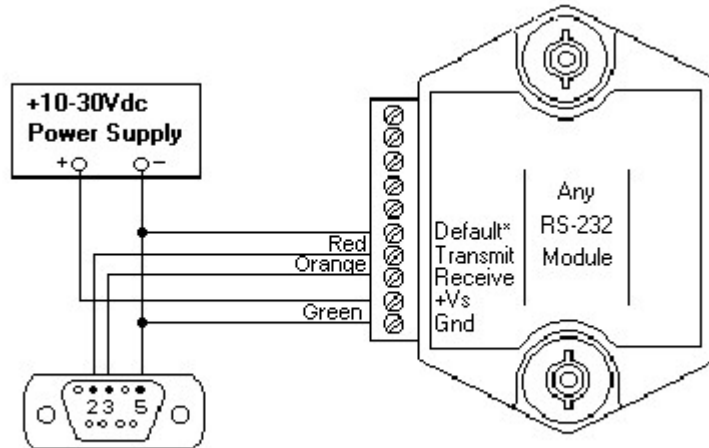
CA-3 Cable Assembly Usage

The CA-3 Cable Assembly can be used to connect DGH modules to a host computer serial port. The cable can be used with both RS-232 and RS-485 modules. Several connection methods using the CA-3 cable are listed below. A table of pin numbers and wire colors is also included for applications that require the other cable conductors in the cable.

RS-232 Module to DB-9 RS-232 Serial Port:

Connections

CA-3	MODULE
Green	GND
Red	TRANSMIT
Orange	RECEIVE



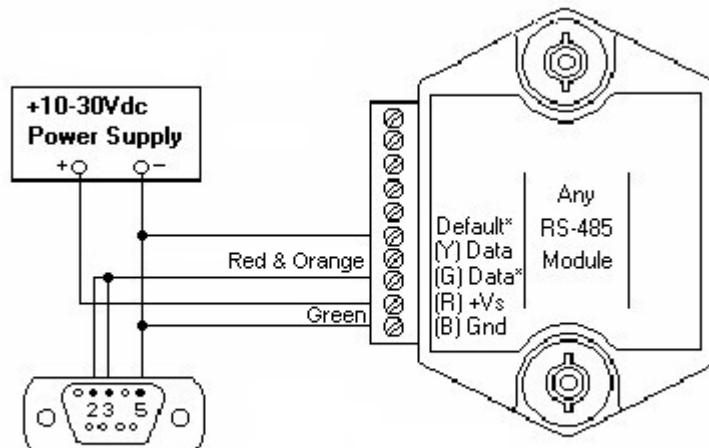
Connect RS-232 Module to DB-9 using CA-3 Cable.

RS-485 Quick-Hookup to DB-9 RS-232 Serial Port:

Connections

CA-3	MODULE
Green	(B) GND
Red	(G) DATA*
Orange	(G) DATA*

NOTE: This connection method cannot, and should not, be used for or during normal RS-485 application use.

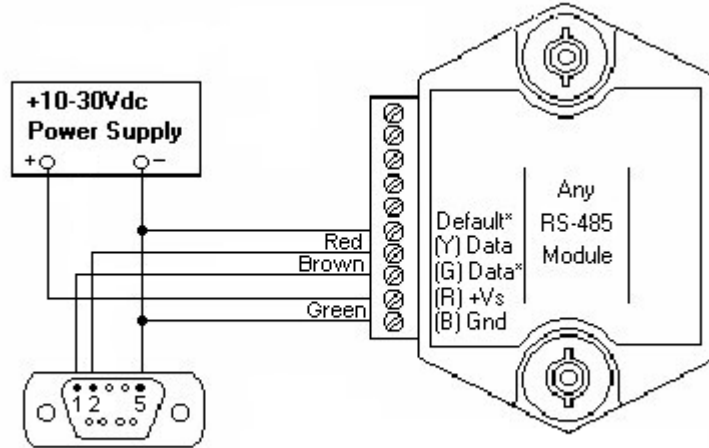


Quick Hook-up RS-485 Module to DB-9 using CA-3 Cable.

RS-485 Module to USB-COMi:

Connections

CA-3	MODULE
Green	(B) GND
Brown	(G) DATA*
Red	(Y) DATA



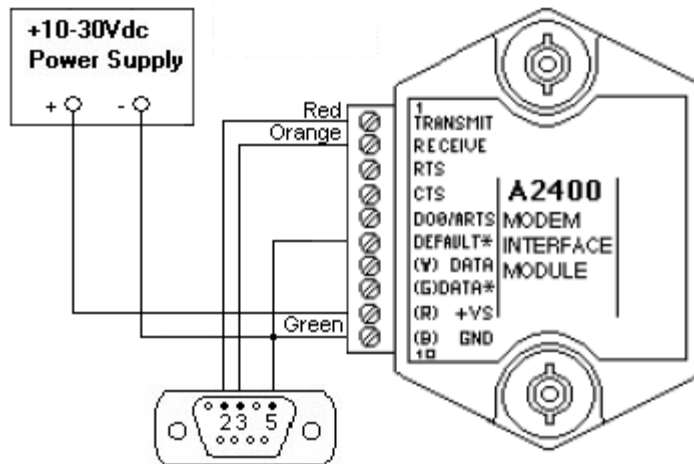
Connect RS-485 Module to USB-COMi Serial Port

A2400 to DB-9 RS-232 Serial Port:

Connections

CA-3	MODULE
Green	GND
Red	TRANSMIT
Orange	RECEIVE

Note: Additional wiring connections maybe required to properly implement the RS-232 Request-to-Send (RTS) and Clear-to-Send (CTS) signals. The A2400 RTS output pin is normally connected to the CTS pin on a DB-9 connector. The A2400 CTS input pin is normally connected to the RTS pin on a DB-9 connector.



Connect A2400 to DB-9 Serial Port using CA-3 cable.

CA-3 Pin out and Wire Colors:

Pin Number	Wire Color
1	Brown
2	Red
3	Orange
4	Yellow
5	Green
6	Blue
7	Purple
8	White
9	Black

Notes:

- Unused leads on this cable should be terminated and covered in order to prevent electrical short circuits between unused wires.
- DGH Corporation is not responsible for the use, misuse, wiring, or mis-wiring of this cable or any damage that occurs during the wire connection process, plugging into equipment, or any damage on either end of the cable.

