



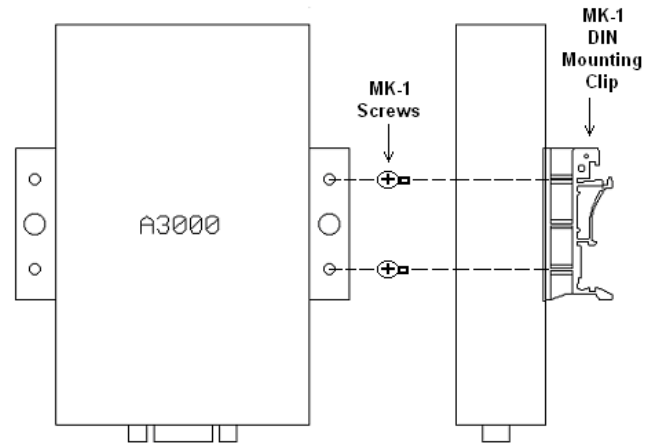
P.O. Box 5638, Manchester, NH 03108, Phone: (603) 622-0452.

MK-1 Contents:
2 – DIN Rail Clips
4 – Self Tapping Screws

MK-1 Installation Instructions

MK-1 to A3000

1. Press DIN Clip against back of A3000 as in illustration on right.
2. Align top and bottom holes on the DIN clip with the holes on the A3000 metal mounting tab.
3. Insert screw into holes on A3000 mounting tab and screw into the plastic DIN clip until tight.
4. Repeat step #3 for second screw.
5. Repeat steps #1 thru #4 to mount the second DIN clip on the second mounting tab.

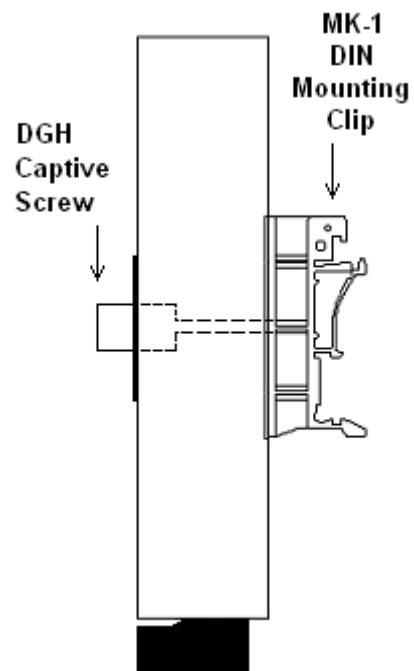


A3000 Front and Right Side View

MK-1 to D-Series Module

1. Press DIN Clip against back of D-Series module as in illustration on the right.
2. Align center hole on the DIN clip with the captive screw supplied with the D-Series module.
3. Screw the captive screw into the middle hole on plastic DIN clip until tight.
4. Repeat steps #1 thru #3 to mount the second DIN clip on the D-Series module.

Note: The four self-tapping screws are not required when mounting DIN clips on a D-Series module.



D-Series Module Right Side View

MK-1 to D6000 Series Module

1. Press DIN Clip against back of D6000 Series mounting flange.
2. Align center hole on the DIN clip with the hole in the D6000 mounting flange.
3. Screw a self-tapping screw into the middle hole on plastic DIN clip until tight.
4. Repeat steps #1 thru #3 to mount the second DIN clip on the D6000 Series module.

